

Energy Manager

SPECIFICATION

The Enlighted Energy Manager is a local server that provides a web-based user interface to the Enlighted Control network.

OVERVIEW

The Energy Manager provides the data analysis for all data harvested by the Enlighted network devices, such as sensors. In addition to being the collection point for the energy, occupancy, and environmental data captured by Enlighted Smart Sensors, the Energy Managers provides a web-based user interface for lighting system management and optimizing building system performance.

The Energy Manager (EM) manages up to 1000 individual sensors. It can also manage and control up to 3,500 BACnet points, which are available for purchase through the Lighting BACnet software license.

FEATURES

Simplified Lighting Control Management: The EM configures and manages lighting behavior by adjusting software profiles while retaining lighting data for up to 36 months. It generates reports on lamp and fixture outages, carbon reduction, energy and financial savings.

Power Metering: Direct power metering at individual fixture level by deploying various control strategies provides data for comprehensive savings analysis.

Comprehensive Insight into Building System Performance: Automatic Demand Response (ADR) and Demand Response (DR) optimize operating costs and comply with energy efficiency and sustainability goals. Measure and identify under-utilized spaces by gaining insight into building usage patterns.

Standards-Based Communications Protocols: Industry standard communication protocols provide robust and mature capabilities. REST-based APIs support GET and POST requests and XML, JSON responses. BACnet/IP enables integration between the Enlighted lighting network and Building Management System (BMS). The EM can turn on or off Bluetooth 4.0 Low Energy (BLE) beacons.

Data Security: AES 128-bit encryption for wireless data transmission and SSL encryption for TCP/IP data transmission enabled for data security.

Flexible Deployment: The server can be installed on an IT corporate network, dedicated Gateway network, or as a stand-alone system. The intuitive graphical user interface is accessible via standard secure web browser, thus eliminating software downloading.



The Enlighted Energy Manager

Length	8.00"	203.2 mm
Width	10.06"	255.5 mm
Height	.91"	23.1 mm
Weight	38.09 oz	1.08 kg

Note: Height includes rubber feet



ENLIGHTED SPECIFICATION SUBMITTAL

Job Name:

Job Number:

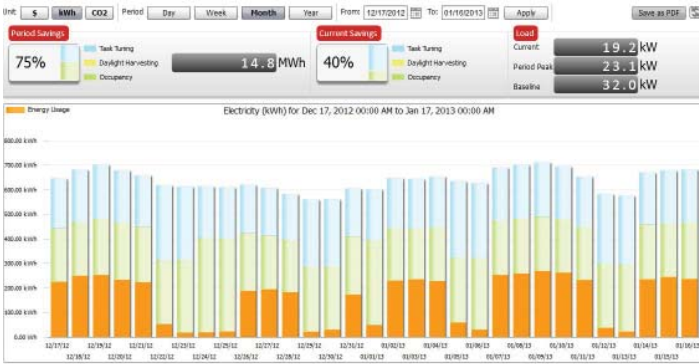
Product Codes:

EM-2-01: EM with up to 1000 Sensors

EM-ZNS-01: Yearly Zone Sensor License

ENCL-EM/FAN: EM and PoE Enclosure

Energy Manager



MOUNTING

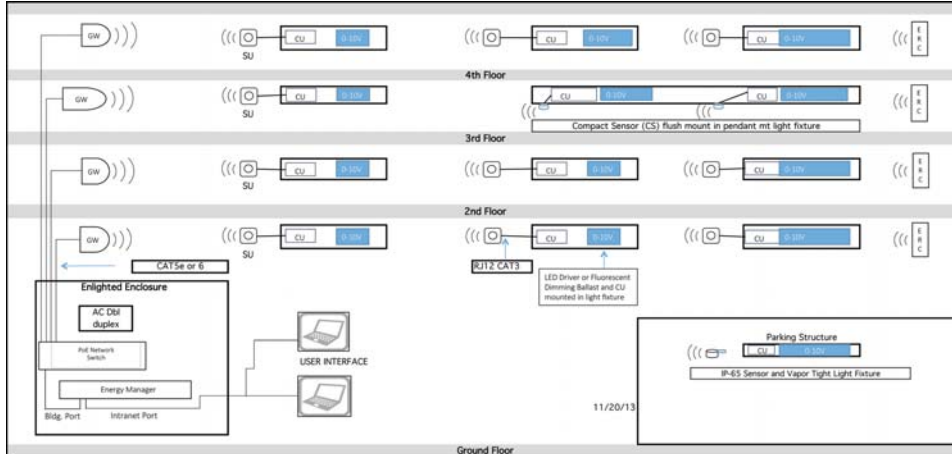
The Energy Manager is usually mounted in an electrical or telecom room in the Enlighted Enclosure with the PoE and a double duplex receptacle. RJ-45 connectors are included for the Enlighted system to connect to a Corporate and Gateway network.



Enlighted Enclosure

WIRING & OPERATIONS

The Energy Manager has two Ethernet ports: Eth0 and Eth1. The Gateway network is connected to one of the Ethernet ports on the PoE Switch. The Corporate network is connected to the client's IT network or the client's local computer. The software that resides in the Energy Manager can be accessed securely via a web browser, thus eliminating the need for clients to download any software.



TECHNICAL SPECIFICATIONS

- Operating System: Linux-based
- Web Client: Server connection
- Security: TCP/IP, Standards-based
- BACnet: BACnet/IP
- Operating: 32° to 122° F / 0° to 50° C
- Enclosure: Ruggedized aluminum
- Power Supply input: 120/240 1.2A
- Power Supply output to EM: DC 20V, 40W

ORDERING INFORMATION

- EM-2-01 Enlighted Energy Manager (EM)
- EM-ZNS-01 Add-on License for a Single Zone Sensor
- ENCL-EM/FAN Enclosure for EM and POE Switch

COMPLIANCE

- Europe
- United States
- Canada

Warranty: 3 years